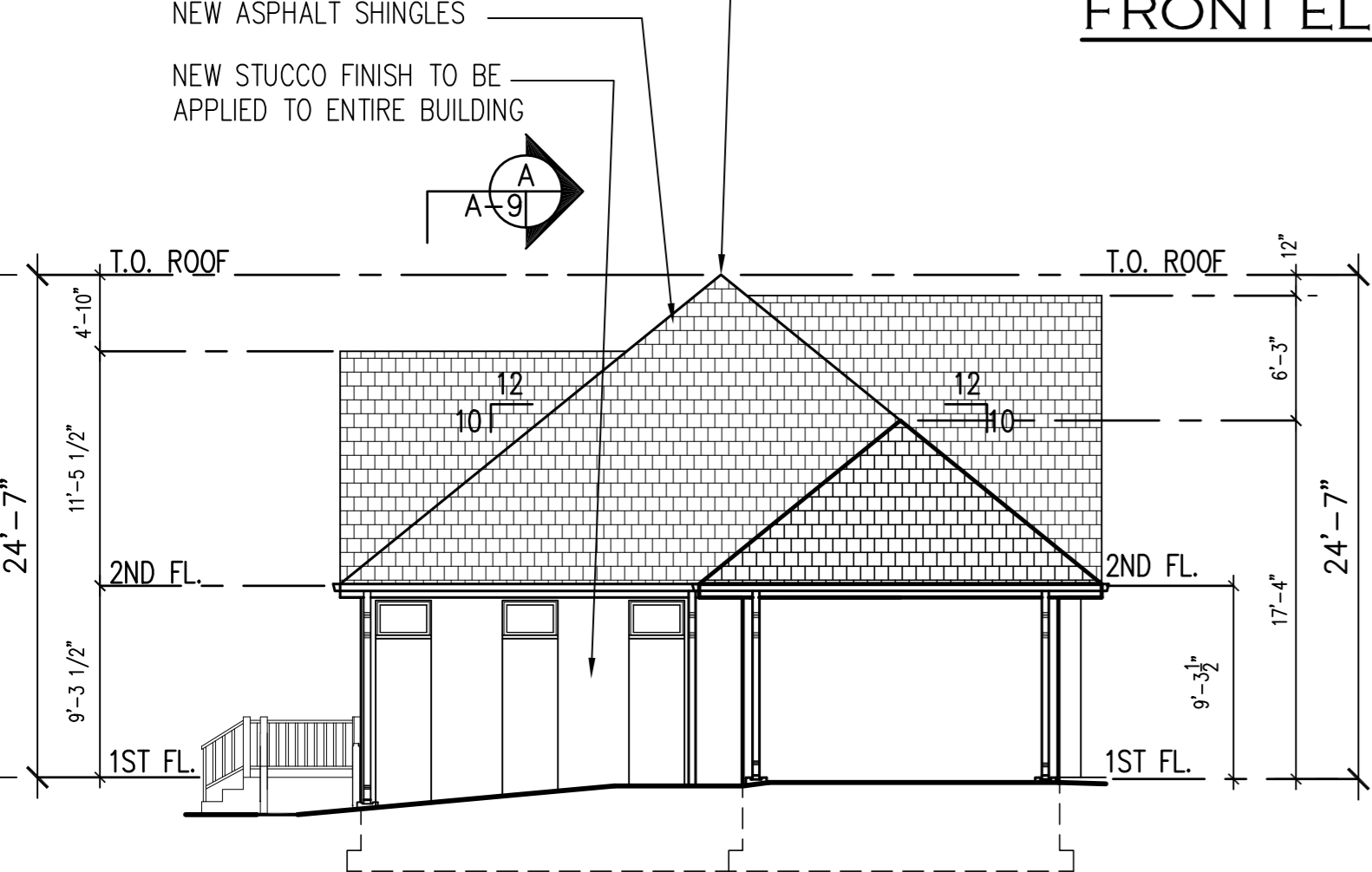
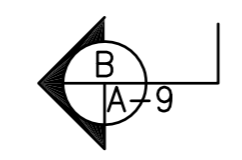
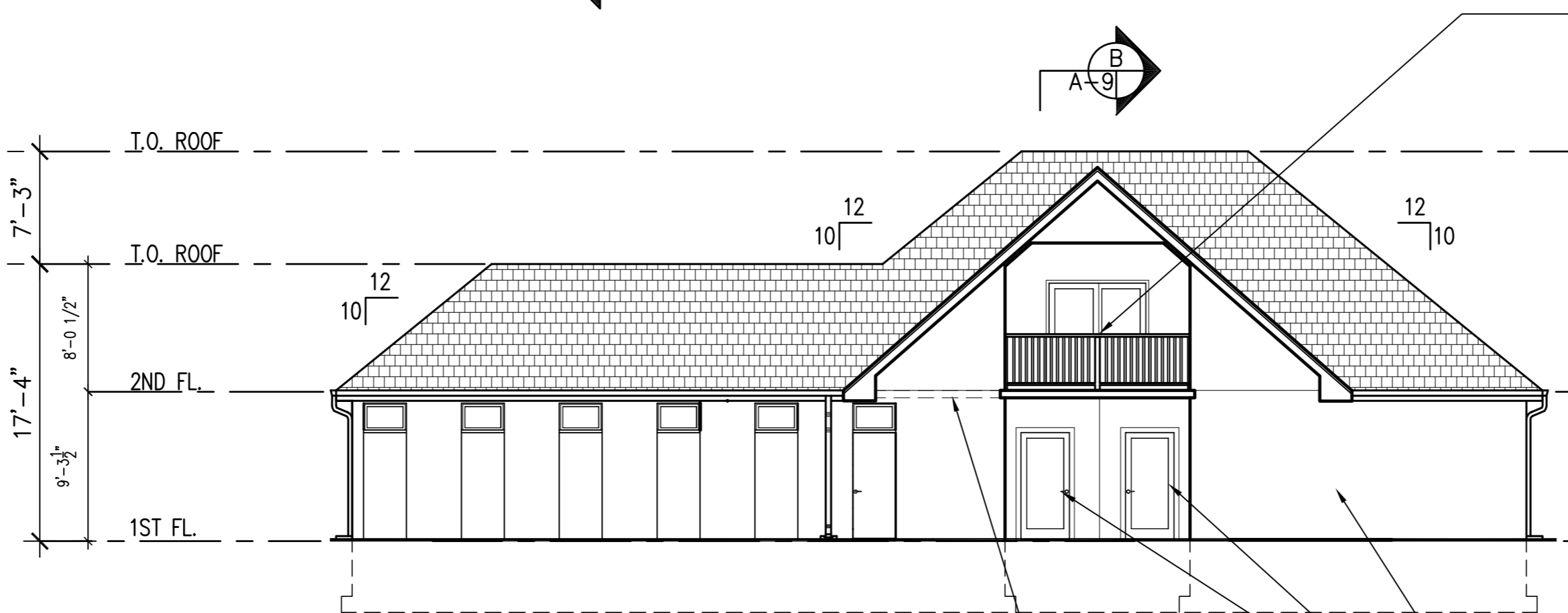


FRONT ELEVATION



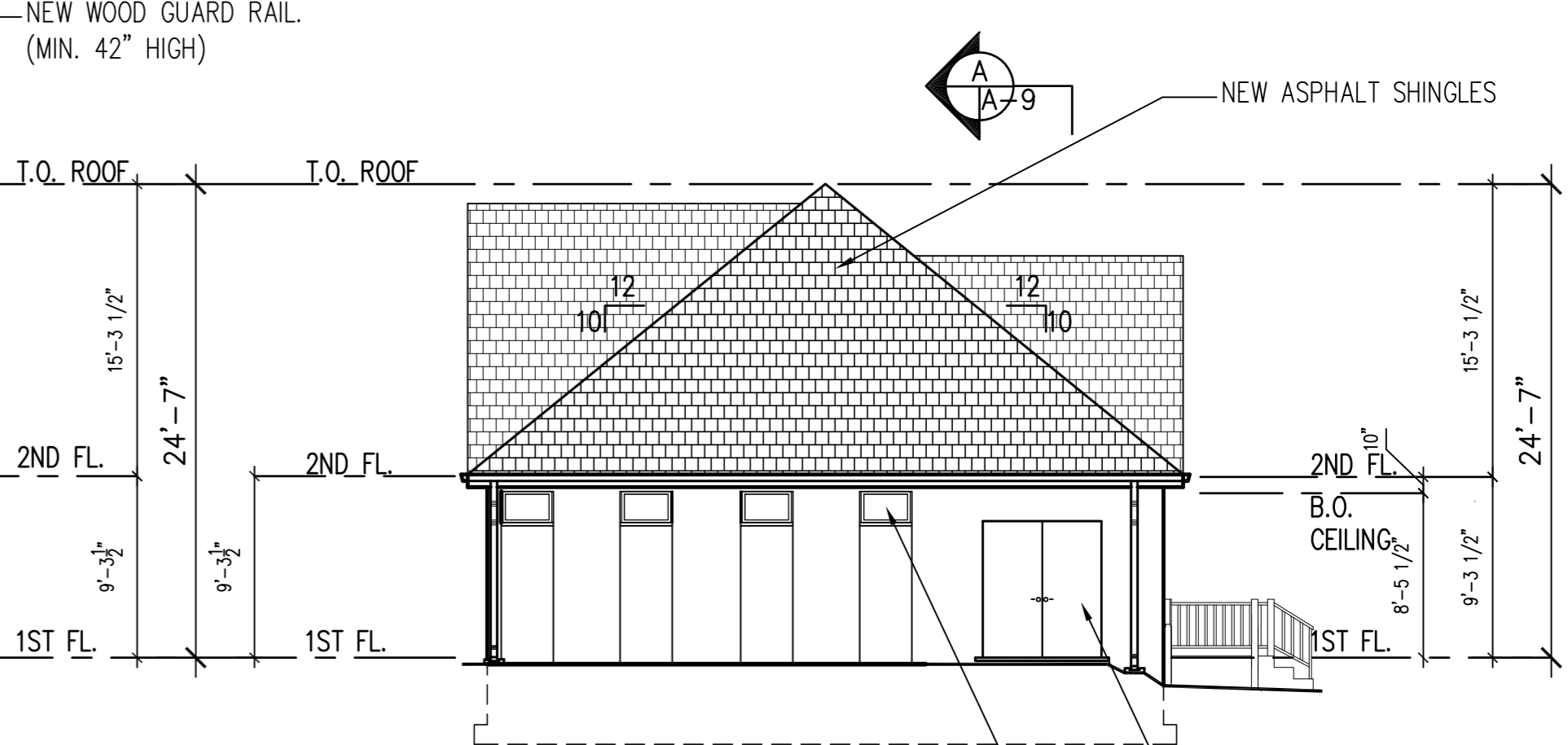
SIDE ELEVATION

1/8" = 1'-0"



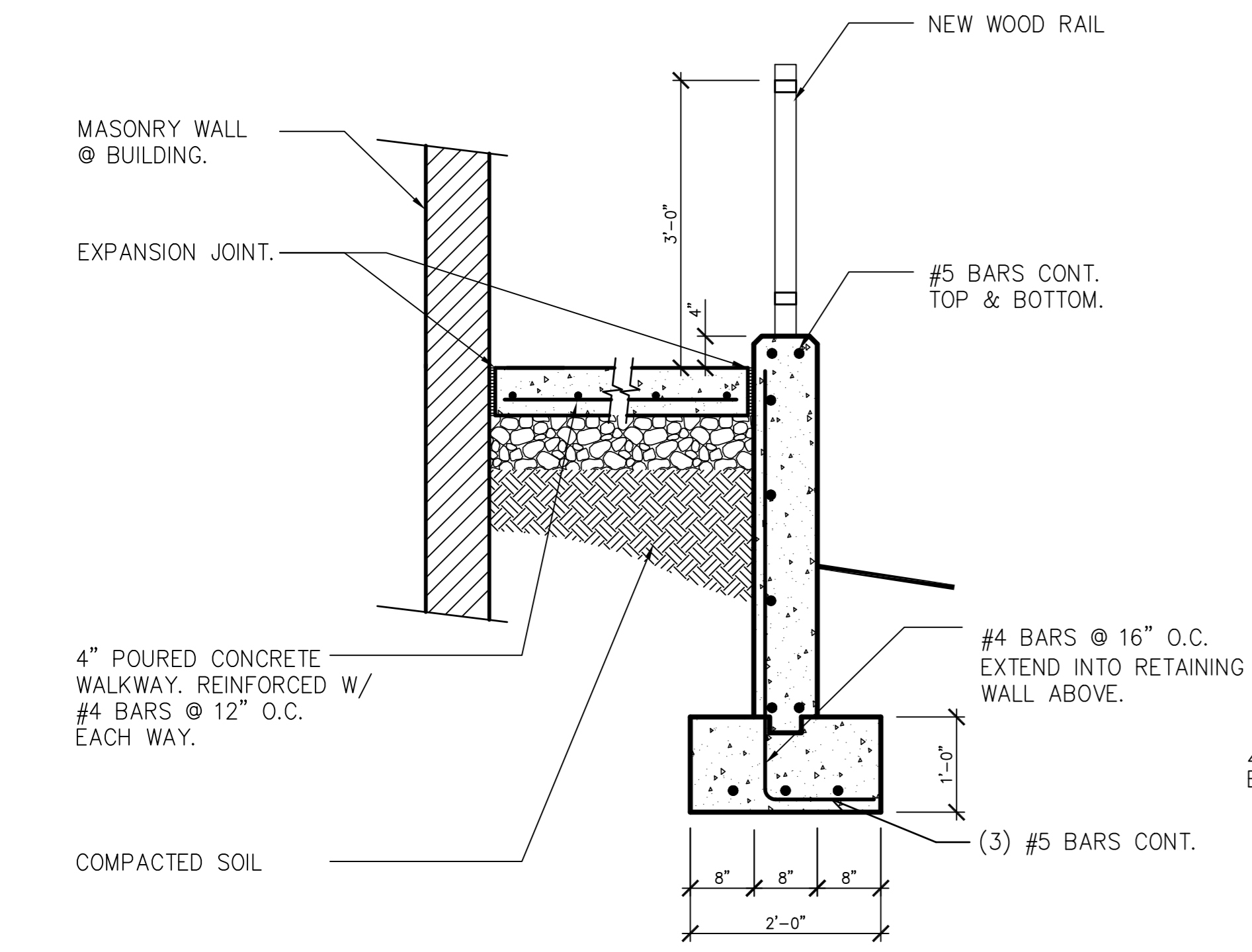
REAR ELEVATION

1/8" = 1'-0"



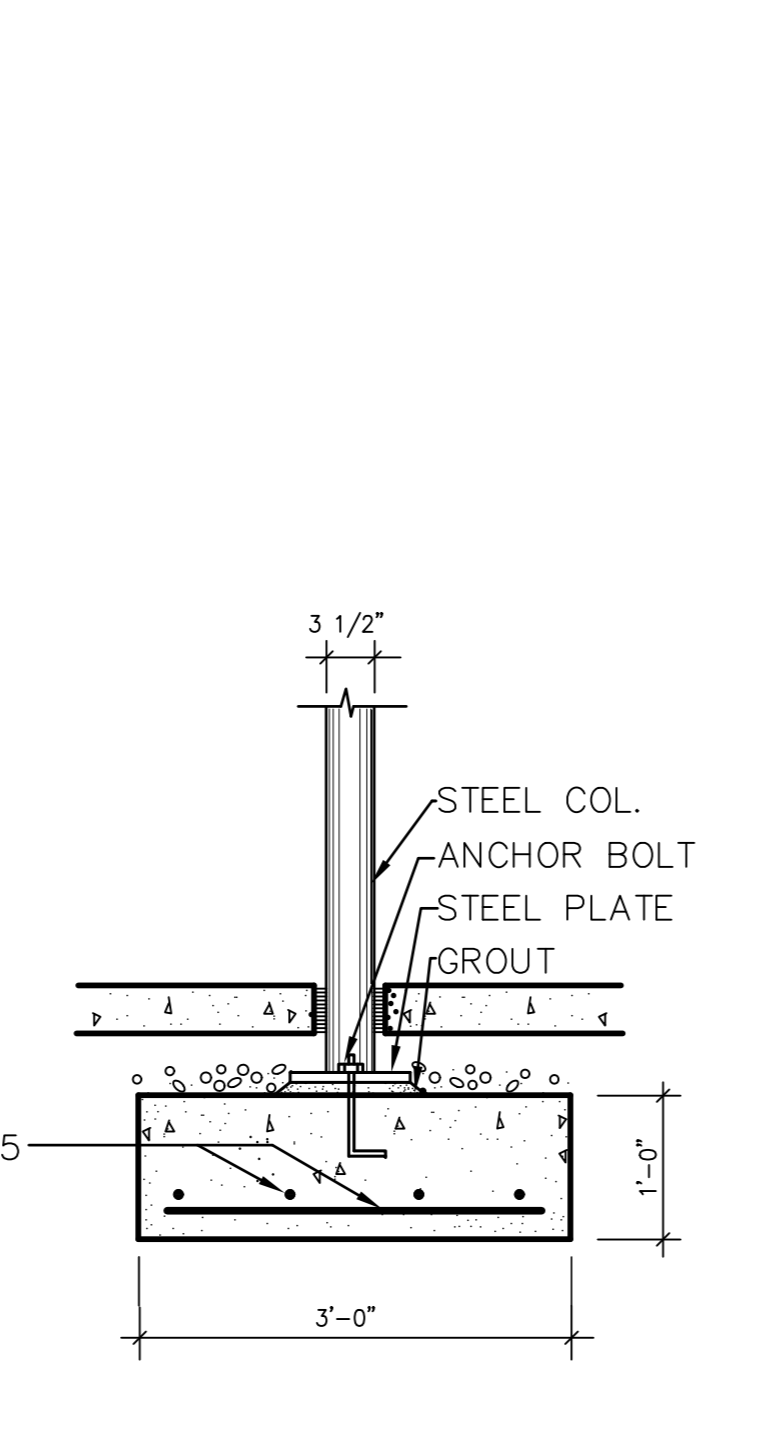
SIDE ELEVATION

1/8" = 1'-0"



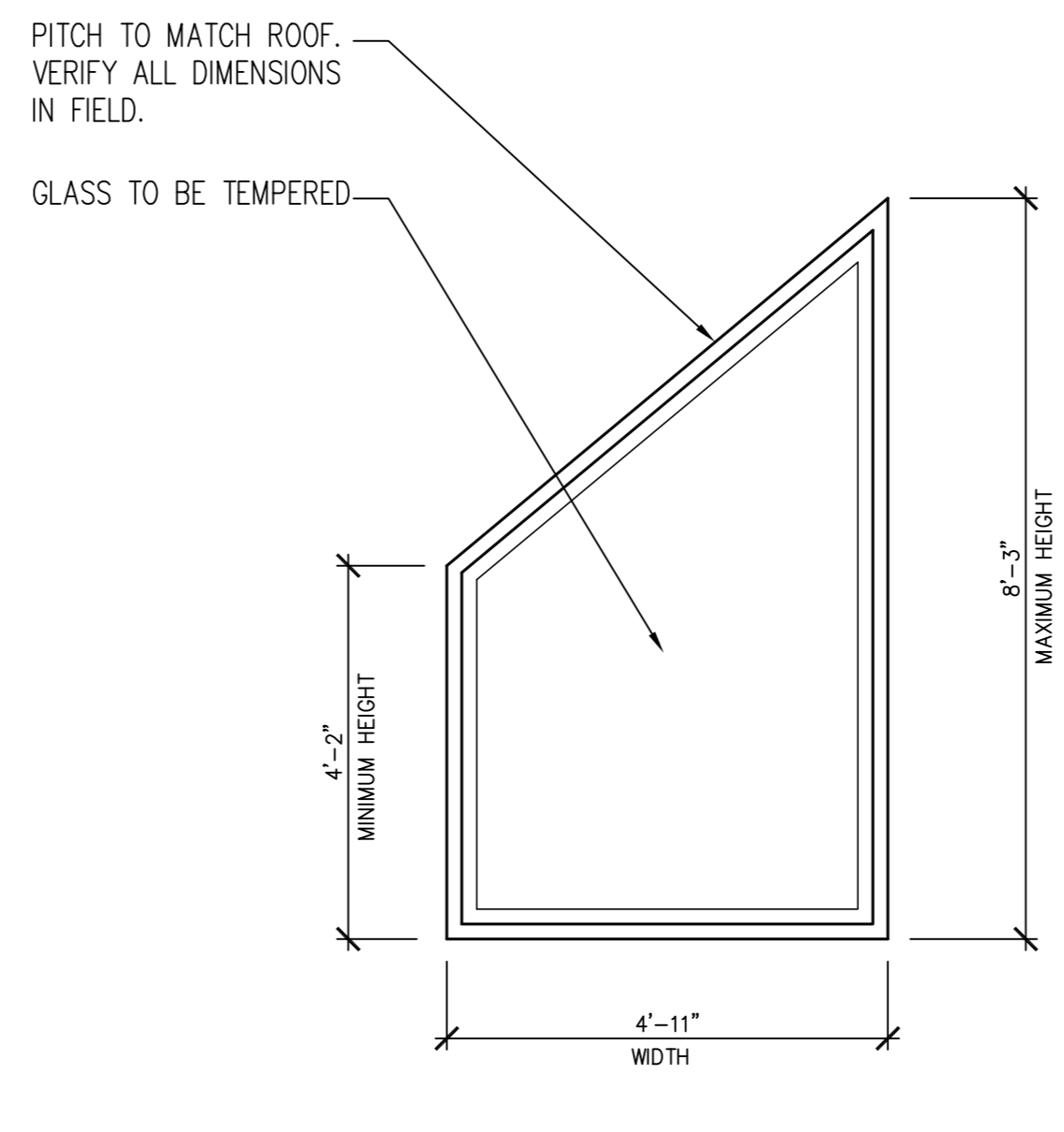
DETAIL @ RAMP

3/4" = 1'-0"



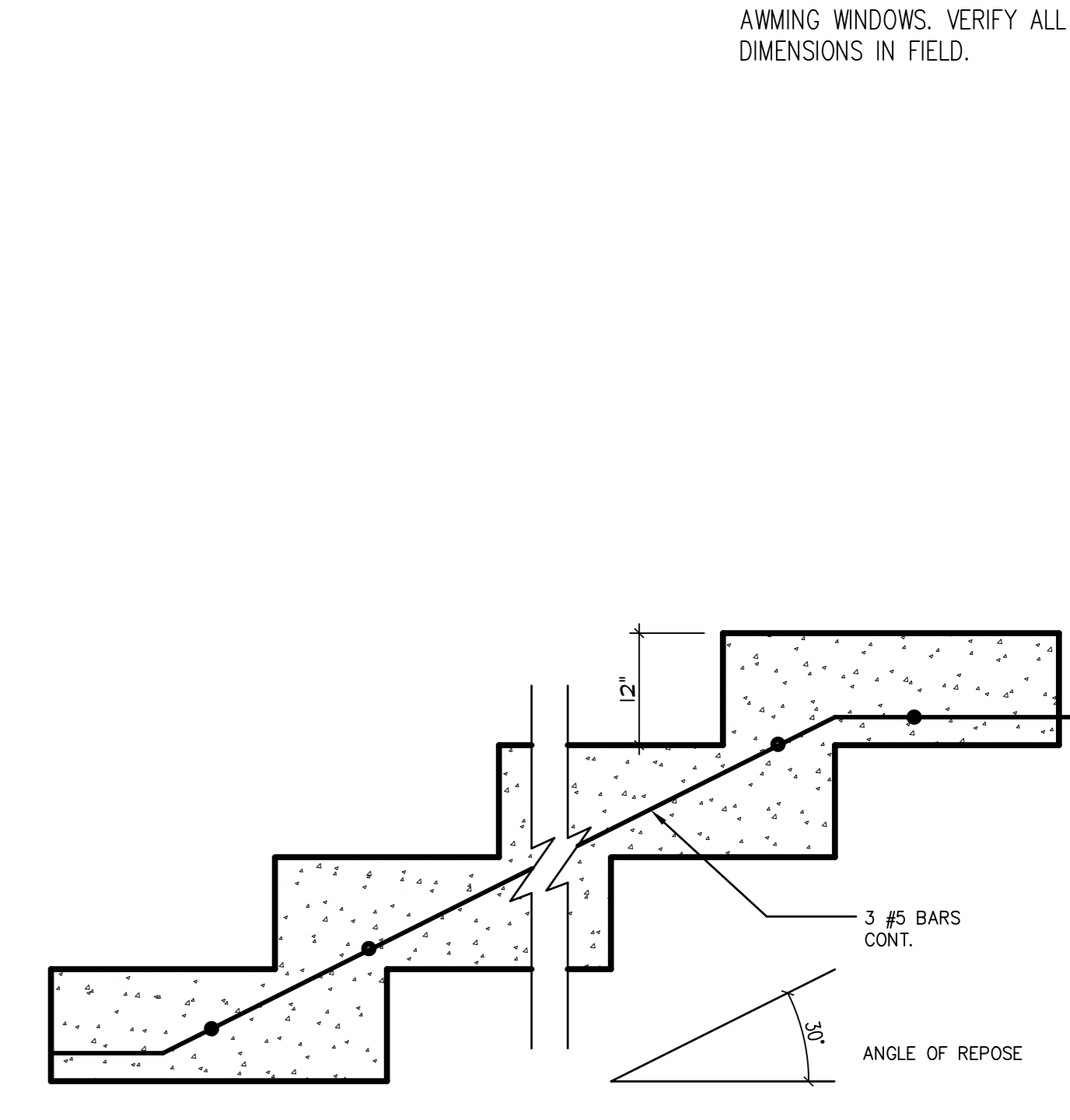
FOOTING/STEEL DETAIL

3/4" = 1'-0"



FLEXIFRAME WINDOW DIMENSIONS

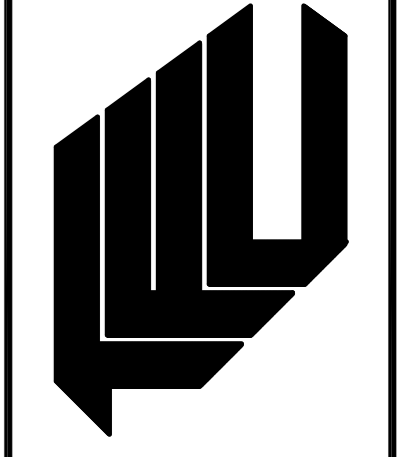
1/2" = 1'-0"



STEP FOOTING DETAIL

3/4" = 1'-0"

T.F. CUSANELLI & FILLETTI ARCHITECTS, P.C.
143 TERRACE STREET
HAWORTH N.J. 07641
201-384-9555



PROPOSED ADDITION/ALTERATION:
**HAWORTH POOL SWIM CLUB
POOL AND ADMINISTRATION
AND LOCKER BUILDING**
LAKESHORE DRIVE
HAWORTH, NJ 07641

REVISIONS		
NO.	DESCRIPTION	DATE
1	BID SET	04/22/0

NO.	TO WHOM ISSUED	DATE

DRAWN BY:	JOB NO.
JLD	0962NJ

CHECKED BY:	DATE:
	03.29.10

DWG. TITLE:
ELEVATIONS & DETAILS
DWG. NO.
A-8